

24V DC Electrical Systems

Wiring & Harness

Description

The 24V DC system uses a wiring harness throughout the cabinet for all the connections except that for the powered exhaust hatcher fan. This fan is directly wired into the console, similar to previous. Schematics for the Platinum system are available under the number 1001372 and are attached at the end of this document.

Harness part numbers are as follows:

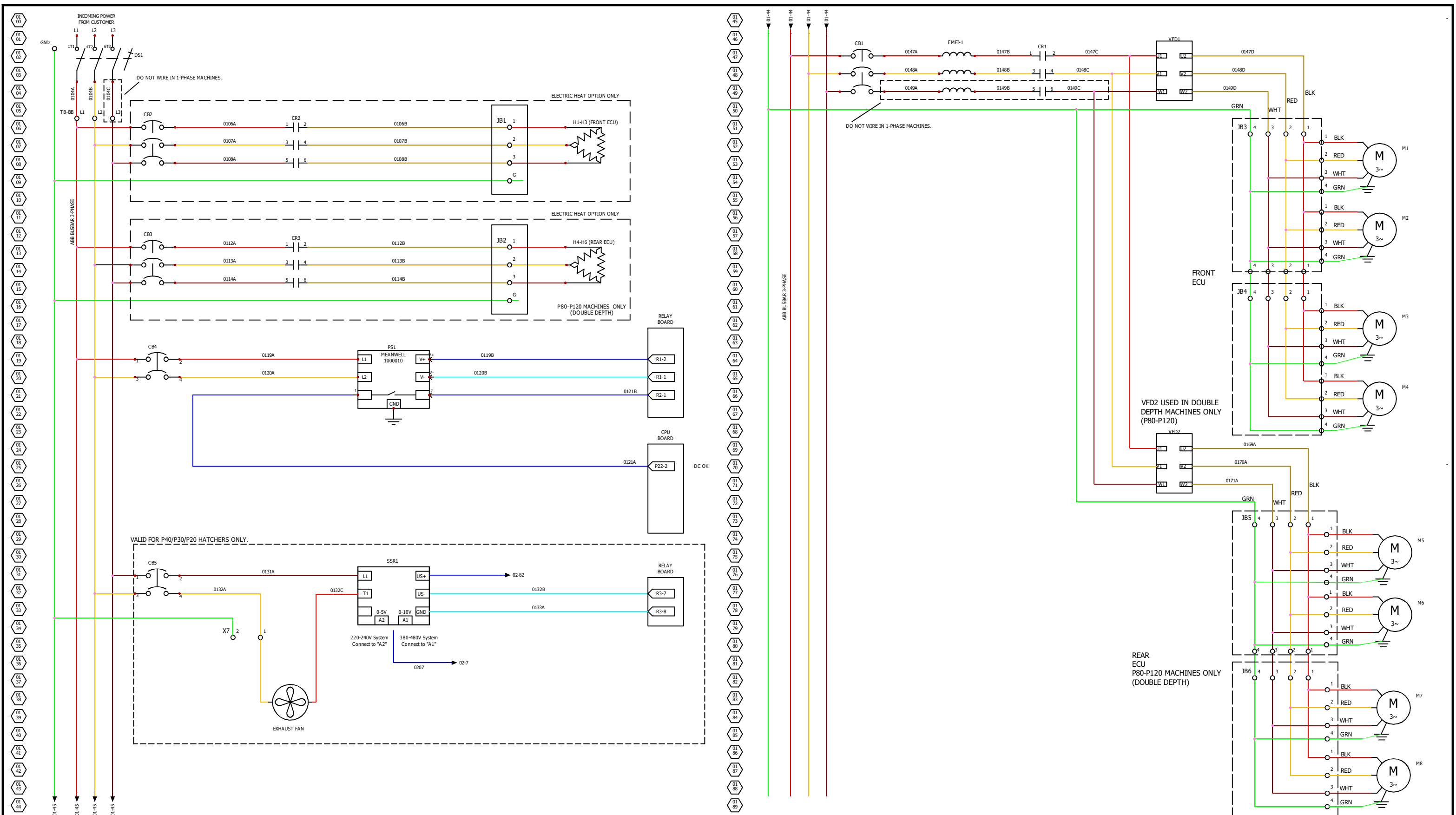
Part Number	Harness
1000937	Platinum Single-Depth
1001035	Platinum Double-Depth
1000844	XCM

Each harness has molded plugs for the connections. **DO NOT** attempt to remove these plugs.

Harness Labelling

Each plug on the harness is labelled with the appropriate connection. A summary of the connections follows:

Label	Connection Point
SOL1	Turning solenoid (pneumatic valve)
SOL2	Front Zone Heat
SOL3	Rear Zone Heat
SOL11	Front Zone Cooling
SOL13	Rear Zone Cooling
DAMP1	Front damper
DAMP2	Rear damper (middle on dd)
DAMP3	Double depth damper
TEMPS1	Front temperature sensor
TEMPS2	Rear temperature sensor
PL21	Alarm Lights (Mounted on The front Doors)
PL22	LED Light (Used in Single/Double Depth Machine Front)
PL23	LED Light (Used in Double depth Machine REAR)
HUMID	Humidity sensor
CO2	CO ₂ sensor
TPS1 (0247, 0247A, etc)	Turn pressure switches (see procedure)



Jamesway Incubator Company Inc.
 30 High Ridge Court
 Cambridge, ON, N1R 7L3

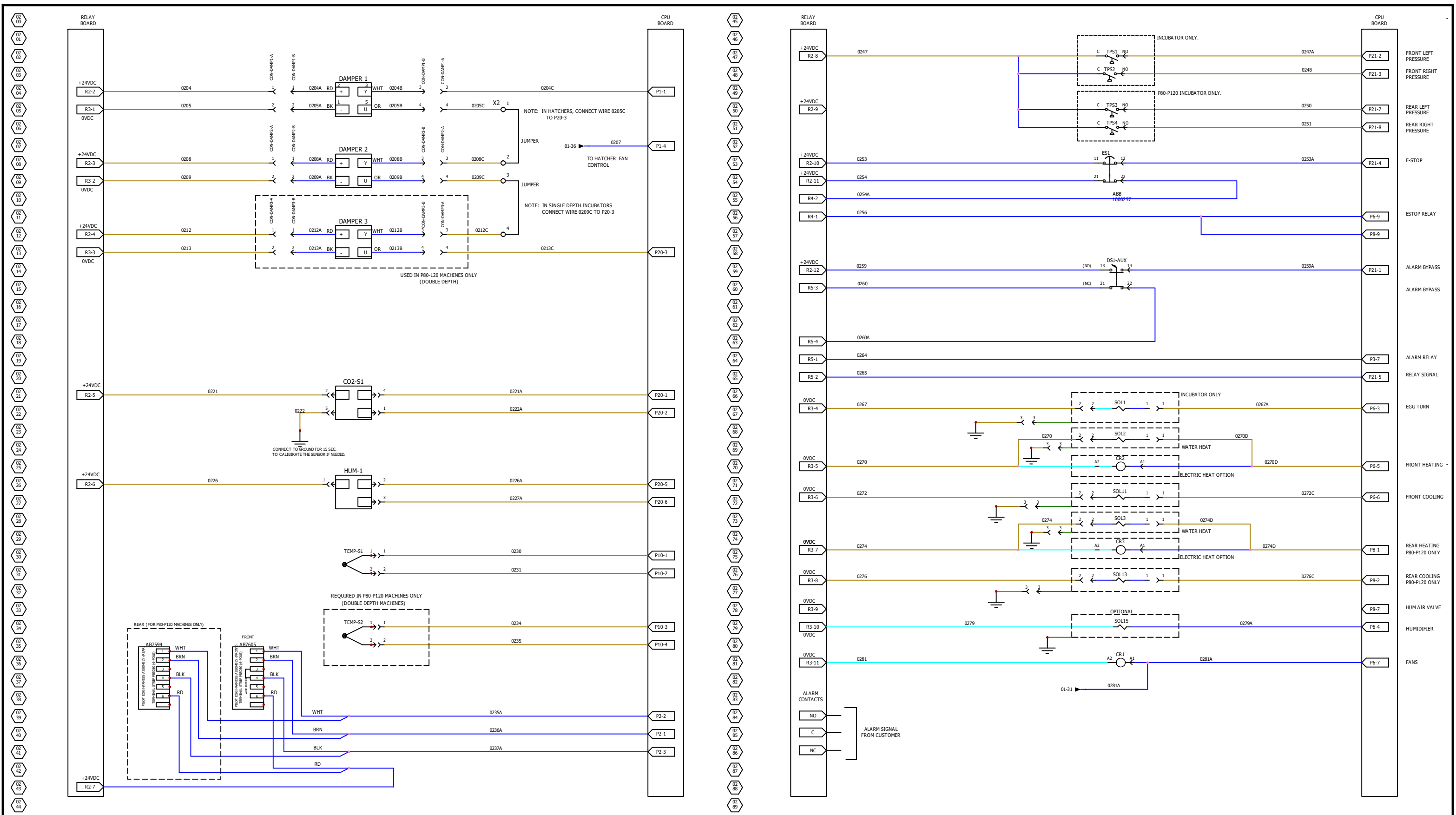
POWER SCHEMATIC
24VDC CONTROL SYSTEM
1001372

CONTRACT:

LOCATION: MCP Main Panel

REV.	DATE	NAME	CHANGES
A	5/31/2018	SFATMI	INITIAL RELEASE
User data 1			User data 2
1001372			

REVISION
A
 SCHEME
01



Jamesway Incubator Company Inc.
30 High Ridge Court
Cambridge, ON, N1R 7L3

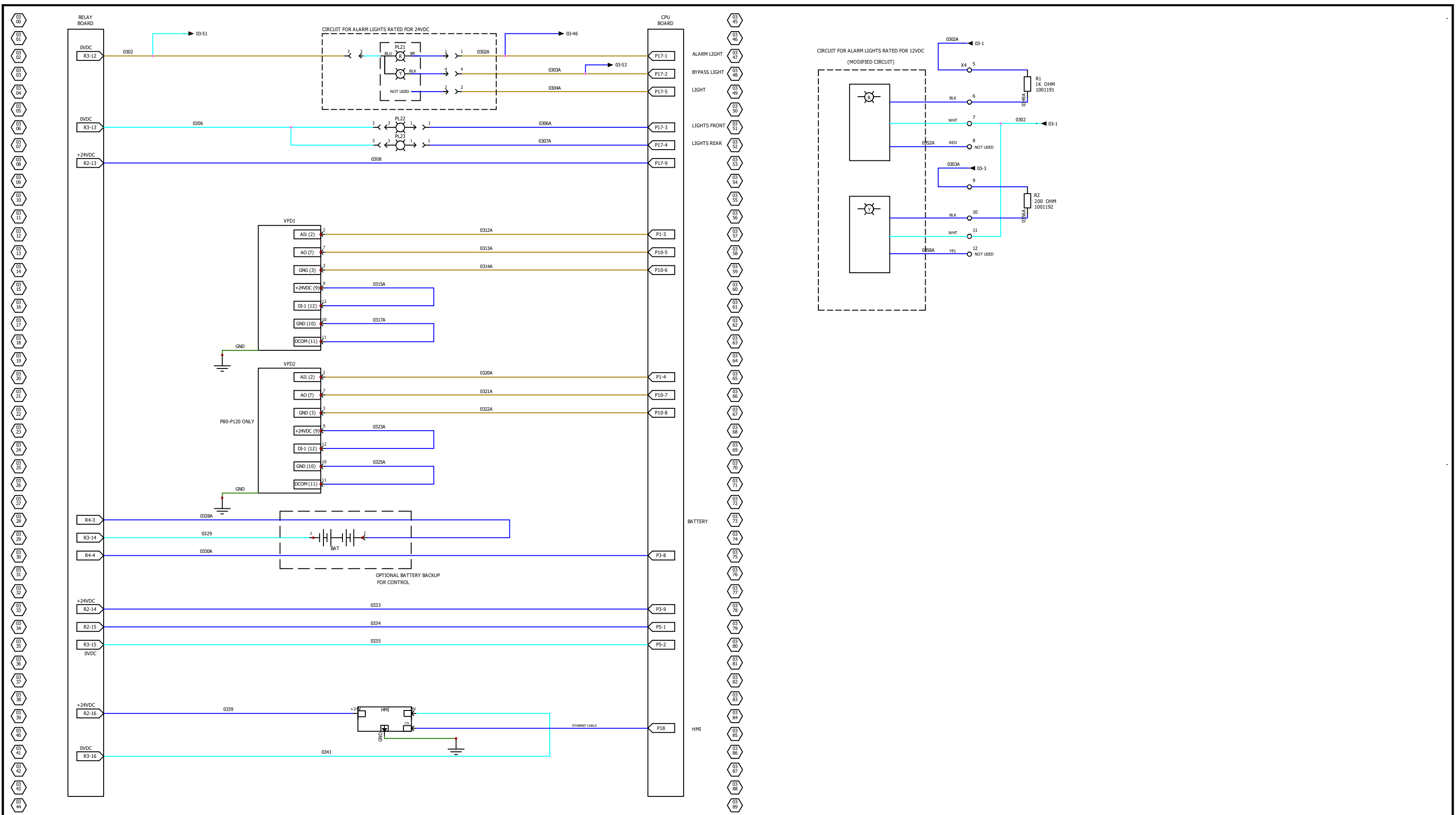
SCHEMATIC - 24VDC CONTROL

1001372

CONTRACT:

LOCATION: MCP Main Panel

REVISION			
			A
REV.	DATE	NAME	CHANGES
A	5/31/2018	SFatmi	INITIAL RELEASE
User data 1		1001372	User data 2
			02



Jamesway Incubator Company Inc.
30 High Ridge Court
Cambridge, ON, N1R 7L3

SCHEMATIC - 24VDC CONTROL
1001372

CONTRACT:

LOCATION: MCP Main Panel

				REVISION
				A
REV.	DATE	NAME	CHANGES	SCHEME
A	5/31/2018	SFATMI	INITIAL RELEASE	
User data 1			1001372	03
User data 2				