

Product Marketing Bulletin

Introduction of the New Jamesway P10 Incubator and Hatcher Update

The Jamesway P10 incubator and hatcher are machines designed specifically for applications where processing 10,000 eggs or less is required for specialized or lower production purposes. The P10 is also a good option for smaller commercial hatchery operations, educational, pharmaceutical or SPF egg production facilities. Available as an incubator, hatcher or a combination incubator/hatcher the P10 delivers excellent production flexibility and industry leading results.



Features/Benefits

- The P10 has all the industry proven benefits of single-stage incubator technology: increased biosecurity, more flexible hatchery management, better hatchability, higher quality chicks, lower mortality, higher feed conversion and higher yield
- With a maximum incubation and hatcher capacity of 10,752 chicken eggs, the P10's industry exclusive capacity and design is perfect for customers who have limited batch poultry production requirements
- Available as an incubator, hatcher or combination incubator/hatcher, the P10 provides optimal flexibility for customers specializing in small batch production

JAMESWAY 

The Incubator Company

Product Highlights

- Industry leading controls:
 - A low voltage 24 VDC control platform enhances the serviceability and reliability of the P10
 - Incubator programming is easier with the updated 12" high definition touch screen HMI
- Removable ECU
 - The floor mounted ECU can easily be disconnected from the control panel and removed from the P10 for ease of cleaning
- Jamesway unique turning system:
 - The P10 uses safe-to-use pneumatic actuators to turn the flats not electric actuators*
 - Separate sensors for turn failure detection are not required
 - Individual rack turning ensures full turn on every rack, every time
- Electrical Consumption
 - The benefits of VFD technology for variable speed fan control
 - Low horsepower variable speed fan motors and water heating reduces electricity consumption over the incubation cycle
- Incubator/hatcher combination unit
 - Programming flexibility allows customers to have one P10 for the combined use as incubator and hatcher
- Precise control of the environment
 - CO₂ and humidity damper control
 - Pilot sensor technology to optimize incubation profiles
 - Precise profile steps for each incubation batch
- Low total cost of ownership
 - All components are built to last a lifetime, reducing the amount of maintenance and repairs while reducing the amount of downtime
 - All parts of the machine are easily accessible to simplify maintenance and cleaning
 - User friendly programming makes it possible to train a new operator in just a few hours

Product Details and Requirements

Available Configuration

- Water or Electrical Heat
- Water cooled
- 15 or 16 tier racks for chickens, 13 tier racks turkey/duck, 13 tier racks turkey/duck-SST flats
- Double hatcher dollies: 15 or 16 tier chickens, 13 tier turkey/ducks

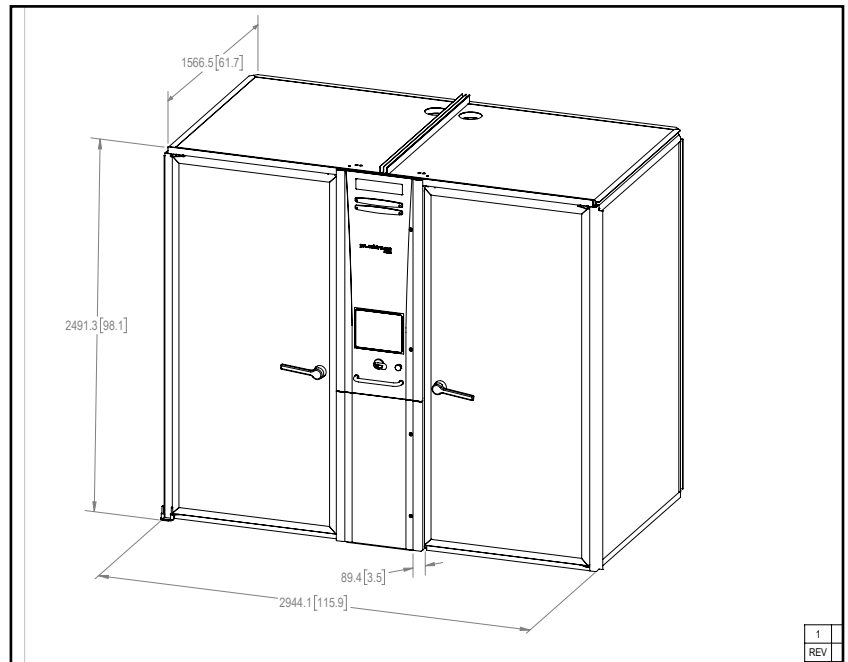
Electrical

Water Heat

- 220 V, 3 Phase, 50/60 Hz
- 380 V, 3 Phase, 50/60 Hz
- 480 V, 3 Phase, 50/60 Hz

Electric Heat

- 220 V, 1 Phase, 50/60 Hz
- 380 V, 3 Phase, 50/60 Hz
- 480 V, 3 Phase, 50/60 Hz



Commercial Issues

Inside Sales is now ready to provide budgetary pricing for the P10; Price Sheets and the QRF have all been updated. Spare Parts Packages have been updated and are also published in the Jamesway Price Sheets. Our HVAC department is prepared to design ventilation and utility solutions for the new P10. Customer testing will begin at the end of July, 2018. First shipments for the P10 will be in Q4 FY 2018. More detailed specification information will follow later in Q3 FY 2018.

For any questions about pricing or quoting, please contact Jamesway Inside-Sales. For any other product specific information, please contact Jamesway Marketing.

Note:* Reference, www.emtech-systems.com/products/spare-parts-upgrades/