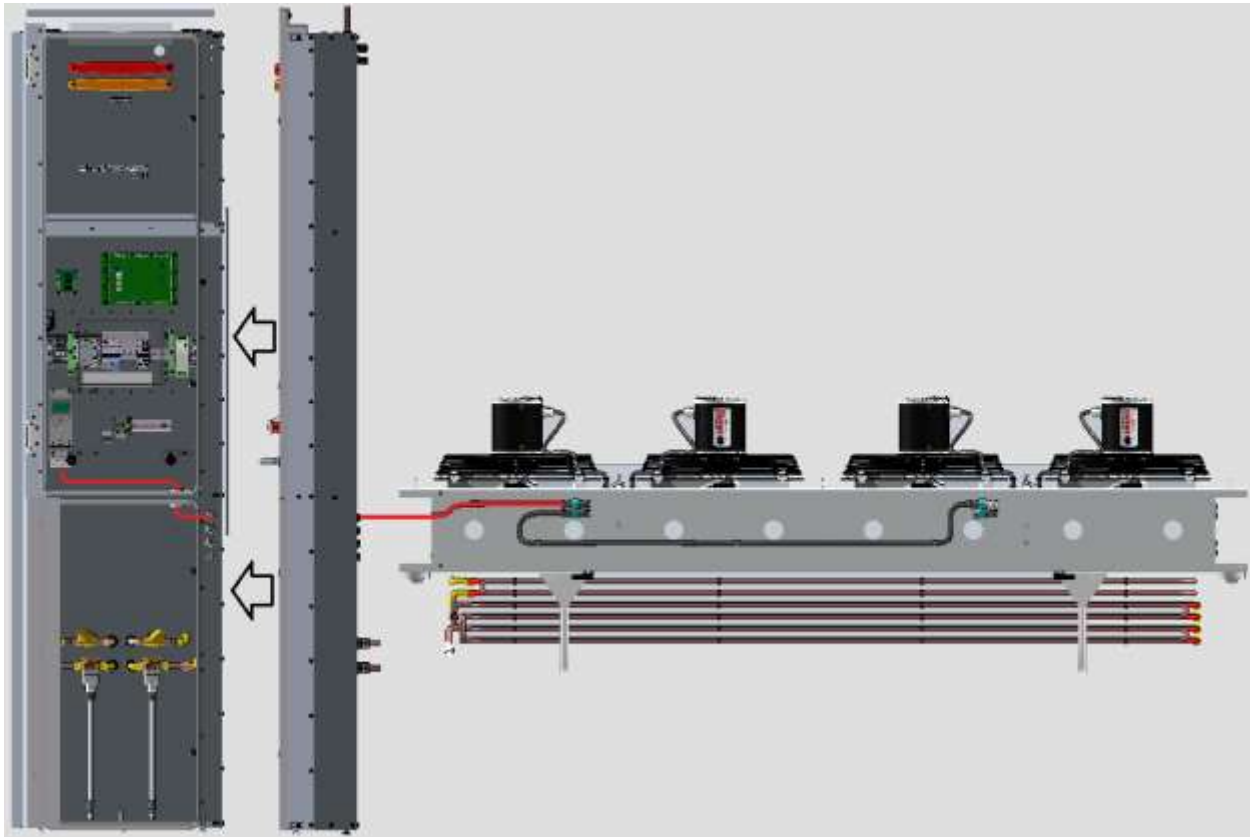


# 1000001 Environmental Control Unit, ECU

## Platinum ECU Redesign for 24V DC Controls

The new ECU is only compatible with Platinum 2.0 equipment with 24V DC controls.  
All ECU electrical rating specifications remain the same.



### New Features

1. 3 Phase fans wired directly to new controls via VFD
  - Plug removed from the cable assembly
  - Wires clearly marked to match wiring locations on the Console
2. ECU frame with riveted-in panel to make the air channels
3. If equipped, 3 phase heaters wired directly to the Console
4. All fans rotate in clockwise direction
5. Fan Motors are rated IP68 – for water resistance

## Customer Benefits

- Special electrical connectors are not needed which have been a cause of failure in the past
- Safer during the cleaning process
- Fewer spare parts for the Customer to stock
  - Only one fan blade, instead of two

## Installation Changes

- Wired ECU by technician
  - Clearly labelled wiring to match on-board terminals
- Small pre-drilled holes for mounting (optional) humidification system
- Revised inspection sheets required