

Platinum P10

Extra-Small 2 Rack Cabinet

Description

Jamesway is proud to launch the P10 Platinum 2.0 Incubator and Hatcher. This half-size P20 has a two fan ECU, and holds two standard 2-column chicken racks, or double hatcher dollies, for a maximum capacity of 10,752 chicken eggs. It uses standard console-version 24V DC controls.

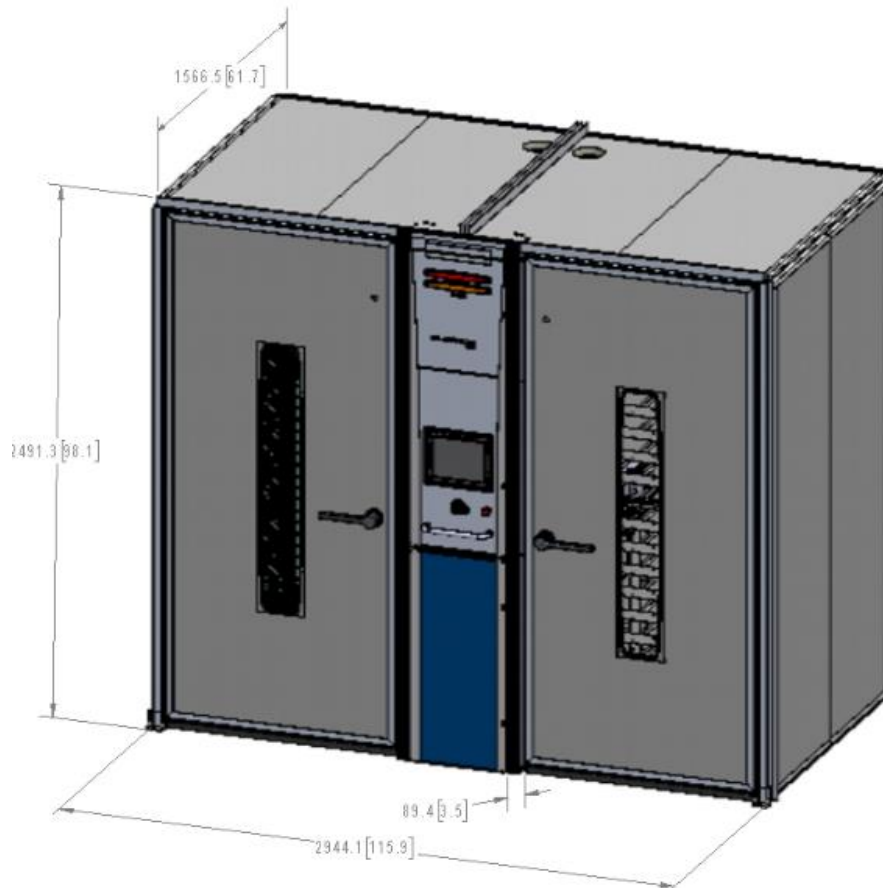
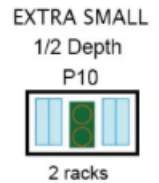


Figure 1: P10 Model

It comes standard with doors with windows (covers included on the hatcher) and damper exhaust for both the incubator and the hatcher. The unit is supplied in 220/240 V, single phase, 50/60 Hz configuration only. It may have hot water or electric heat. Please refer to the [specifications sheet](#).

Date Issued:

Installation & Start-Up

Installation of the P10 cabinet follows all standard P2 and 24V DC procedures.

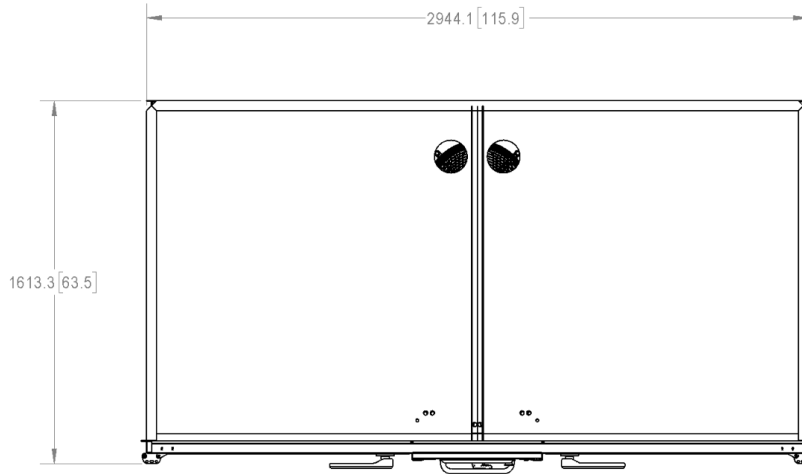


Figure 2: P10 Footprint - Incubator and Hatcher

The harness will be long and should be looped neatly at the rear dampers.

The P10 button must be pressed during the machine setup. This is essential to ensure that the fan calibration sequence will be successful.

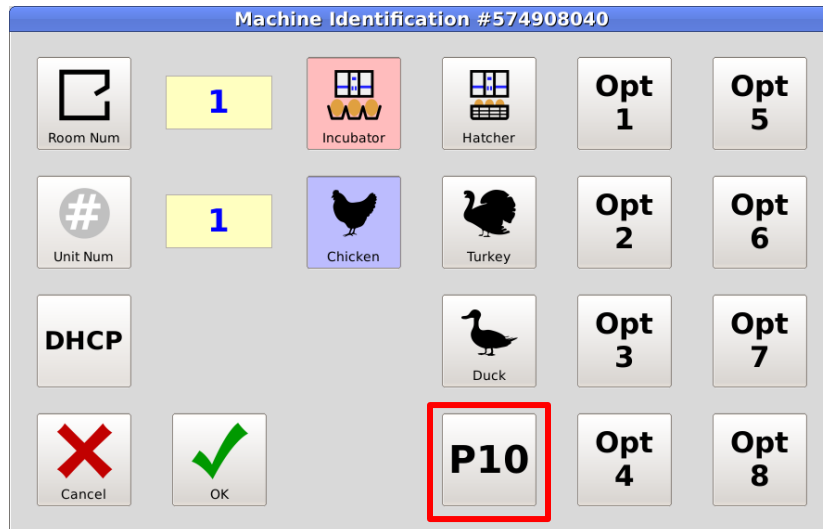


Figure 3: Machine Set Up Screen

The unit should be balanced for 2 GPM through the heating or cooling coils.

One humidification nozzle should be mounted on either side of the ECU if ordered by the customer.

Date Issued: